



Electrolux

Simplicity Bubblers Cold Beverage Dispensers 3x18 L, agitator model

ITEM # _____

MODEL # _____

NAME # _____

SIS # _____

AIA # _____



Electrolux



600560 (ECS3L22)

Chilled beverage dispenser
with 3x18 l bowls and
agitator

Short Form Specification

Item No. _____

Cold beverage dispenser, 3x18lt, with agitation function for fresh juices, coffees, or teas with minimal foaming system. Dispense 3 flavors in 18lt easy-clean bowls with 23cm cup clearance. Easy-off bowl release system for faster and easier assembly and disassembly. Temperature range from 1.7 - 5° C. Pre-mix dispenser with stainless steel base and clear plastic bowls. Compact size of 52 cm.

Main Features

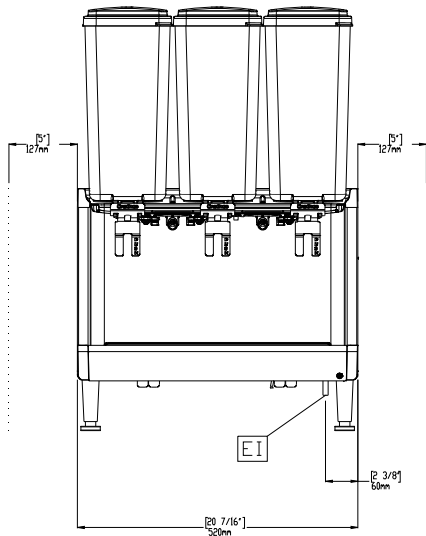
- Agitation function for fresh juices, coffees, or teas with minimal foaming system.
- Easy-off bowl release system for faster and easier assembly and disassembly.
- User friendly design enables machine to dispense product till the very last drop.
- Dispense 3 flavors in 18 L easy-clean bowls with 23 cm cup clearance.

Construction

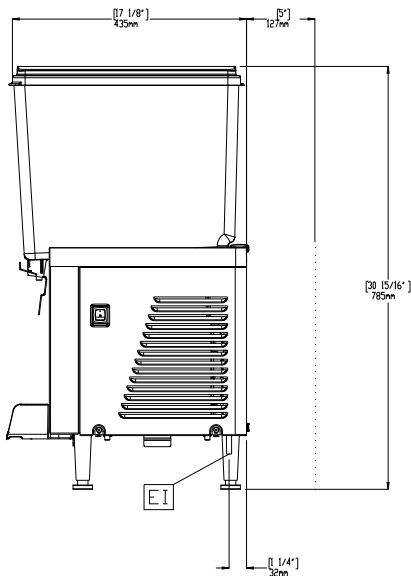
- Pre-mix dispenser with stainless steel base and clear plastic bowls.
- Fewer removable parts to simplify cleaning and reduce maintenance.
- Temperature range from 1.7 - 5° C.
- Compact size of 52 cm wide saves valuable counter space.
- The air intakes from the bottom and exhaust to back.

APPROVAL: _____

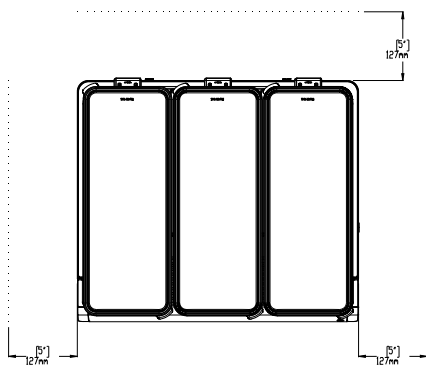
Front



Side



Top



Electric

Supply voltage:

600560 (ECS3L22) 230 V/1N ph/50 Hz

Electrical power max.:

1 kW

Key Information:

External dimensions, Width:	518 mm
External dimensions, Height:	795 mm
External dimensions, Depth:	451 mm
Net weight:	33 kg
Shipping weight:	35 kg
Shipping height:	528 mm
Shipping width:	483 mm
Shipping depth:	630 mm

Simplicity Bubblers
Cold Beverage Dispensers 3x18 L, agitator model

The company reserves the right to make modifications to the products without prior notice. All information correct at time of printing.